

HEAVY DUTY FOOT SWITCHES



BCH ELECTRIC LIMITED
we care for you



Heavy Duty Foot Switches

BCH Foot Switches are designed to open and close either AC or DC pilot circuits. The contact mechanism has single pole double throw twin break, silver contacts 1NO+1NC and double pole double throw 2NO+2NC contacts and is completely enclosed in molded phenolic block. The contact block or blocks are mounted in a watertight and oil tight enclosure. Smartly styled and compact enclosures have silver-grey hammertone baked enameled finish inside and outside. Three point mounting bosses on the back of the treadle operated switches assures stable mounting on uneven surfaces.

These heavy duty foot switches are two position, or three position spring return, front treadle operated. Pressure on the treadle closes the normally open contacts and release of the pressure returns the contact to original position. The lever assembly provides for adjustment of treadle travel to operate the contacts. When two contact blocks are supplied, adjustment of the lever assembly provides for simultaneous or differential tripping (second stage operation) of the contact blocks. The contact assembly (a precision limit switch) is fastened to the bottom of the case with the terminals up for easy wiring.

Treadle latches when supplied permit spring return or maintained contacts operations. The latch release pedal provides easy-on-the-job conversion from maintained contact to spring return. Conversion to spring returns requires only a push down and forward motion on the latch release pedal to make the treadle latch inoperative. The latch release pedal is normally located on the right hand side, it can be converted in the field to left hand extension.

The watertight and oiltight enclosure has a cast cover and treadle. A gasket between case and cover and a friction type seal on the treadle shaft assures watertight and oiltight performances.

The earthing screws provided in the enclosure allow a convenient means of attaching earth-wire if required. A safety spring within the enclosure assures treadle spring return in case the main return spring under the treadle gets damaged. All switches with second stage operation are provided either with light or medium or heavy spring. The heavy second stage feel spring are not recommended for switches with treadle latches.

Two covers are available as standard guard and shield. The selection of the cover depends on the degree of protection desired, to prevent accidental treadle operation.

Electrical and Mechanical Ratings

Utilisation	:	AC 11 and DC 11 as per IEC-337-1
Contact combination	:	i) Two sets of 1NO + 1NC contacts ii) Two sets of 2NO + 2NC contact
Thermal current (Ith)	:	15A
Insulation voltage (Ui)	:	600V



Operational Current & Voltage

AC 11 RATING (50Hz)		SINGLE POLE	DOUBLE POLE	
600V		0.8A	0.6A	
440		1.0A	0.8A	
240		2.0A	1.5A	
110		4.0A	3.0A	
DC 11 RATING	SINGLE THROW	DOUBLE THROW	SINGLE THROW	DOUBLE THROW
600V	0.1A	0.02A	0.1A	-
220	0.5A	0.20A	0.3A	0.1A
115	2.0A	0.50A	1.0A	0.2A

Mechanical and electrical life	:	10 x 10 ⁶ operations
Frequency of operation	:	2500 operations per hour.
Terminal capacity	:	2.5 mm ² solid or stranded conduct
Entries	:	One 1" conduit entry at the back of the case.
Standard assemblies	:	Foot switches are available in two (full down) or three (half down full down) position operations. The switches may have guard or shield and be with or without latch depending on the requirement.
Method of operation	:	Treadle operation with spring return. With two limit switches, sequential operations also possible. Force required to operate the second stage feel spring of foot switch Type Z. Light spring - 1.6kg Medium spring - 5.2kg Heavy spring - 13.6kg
Enclosure category	:	IP 65/67 as per IS : 2147 of 1962
Finish	:	Silver-grey Hammer tone baked enamel finish inside and out on cast aluminum case and cover.

Catalogue Code

Product code	:	FS - Foot switch
Kind of cover	:	G - With guard S - With shield
Type of foot switch	:	X - 1 contact block 2 positions Y - 2 contact block 2 positions Z(L) Light spring 2 contact block Z(M) Medium spring 3 positions Z(H) Heavy spring 3 positions
Type of contact block	:	1 - Contact block with 1NO + 1NC contacts 2 - Contact block with 2NO + 2NC contacts

Suffix 'L' if latched operation is required

eg: FSGY1	-	Spring return two position foot switch with guard and two 1NO + 1NC contact blocks.
FSGY1L	-	Two position foot switch with guard and two 1NO + 1NC contact blocks suitable for latched operation.

Latching is not possible with Z type of foot switch.

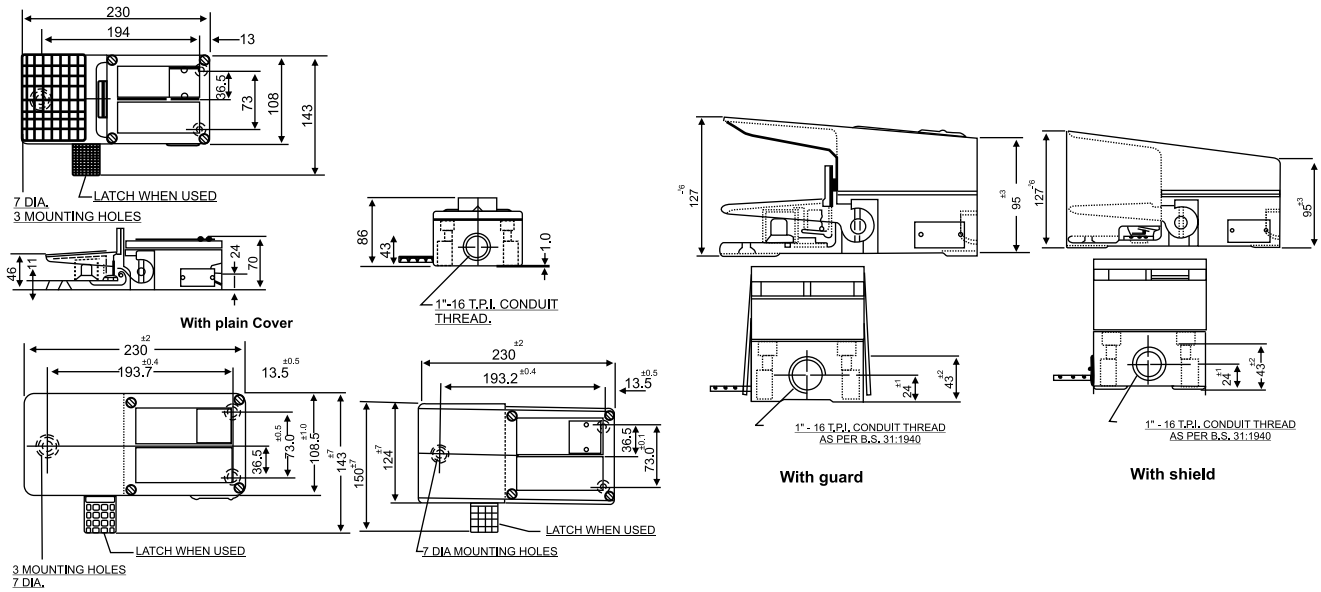
Weights (Kg)

With shield	:	2.25
With guard	:	2.00
Without guard or shield	:	1.50

Operational Data

Circuit symbol	Treadle operation			Description
	Up	Half down	Full down	
X		—		1 contact block 1NO + 1NC or 2NO + 2NC 2 positions
Y		—		2 contact block 1NO + 1NC or 2NO + 2NC 2 positions
Z				2 contact block 1NO + 1NC or 2NO + 2NC 3 positions

Dimensions (mm)



BCH ELECTRIC LIMITED

Visit us at : www.bchindia.com

Corporate Office : 1105, New Delhi House, 27, Barakhamba Road, New Delhi - 110 001 Tel. : 91-11-23316029/3610/6539 Fax : 91-11-23715249 E-Mail : marketing@bchindia.com

Registered Office : Block 1E, 216, Acharya Jagadish Chandra Bose Road, Kolkata - 700 017

Works : 20/4, Mathura Road, Faridabad - 121 006 (Haryana) Tel. : 0129-4063000/4061026 Fax : 0129-2304024

Sales Offices :

Ahmedabad

53, City Centre,
Near Swastik Char Rasta,
C.G.Road, Navrangpura,
Ahmedabad - 380 009
Tel. : (079) 26565719, 26565728
Mobile: 98256-07601
Fax : (079) 26561210
E-mail: ahmedabad@bchindia.com

Bangalore

B.M.H. Complex, IInd Floor,
No. 22, Kengal Hanumanthiah Road,
Bangalore - 560 027
Tel. : 080-22273478, 41144878, 41144879
Mobile: 98455-46105
Fax : 080-22236759
E-mail: bangalore@bchindia.com

Bhubaneswar

Plot No. 4708/1,
Gajapati Nagar,
Bhubaneswar - 750 005
Tel. : 0674-2301767
Mobile: 98610-81767
E-mail: bhubaneswar@bchindia.com

Chandigarh

SCO 121-22-23, Ist Floor,
Sector 34-A, Chandigarh - 160 022
Tel. : 0172-5078957
Mobile: 98554-87089
E-mail: chandigarh@bchindia.com

Chennai

LVR CENTRE, 3rd Floor
No. 7, Seshadri Road,
Alwarpet, Chennai - 600 018
Tel. : 044-24997042, 24997002
Mobile: 98402-85500
Fax : 044-24996853
E-mail: chennai@bchindia.com

Cochin

2nd Floor, 32/1495
B-1, Chakras Chambers,
By Pass Junction,
Cochin - 682 025
Tel. : 0484-6593697
Mobile: 98477-43393
E-mail: cochin@bchindia.com

Coimbatore

87, Dr. Nanjappa Road,
Coimbatore - 641 018
Tel. : 0422-2305311
Mobile: 98430-53555
Fax : 0422-2302599
E-mail: coimbatore@bchindia.com

Faridabad

110 & 117, Om Shubham Tower
Neelam Bata Road, N.I.T.
Faridabad - 121 001 (Haryana)
Mobile: 98180-10700
E-mail: faridabad@bchindia.com

Gurgaon

SF-203, Navkriti Arcade
Block-A, Sushant Lok, Phase-II
Gurgaon - 122 001 (Haryana)
Mobile: 99101-55464
E-mail: gurgaon@bchindia.com

Guwahati

2nd Floor, Maya Ville,
Borthakur Mill Road, Ulubari
Guwahati - 781 0007
Mobile: 09435407024
E-mail: guwahati@bchindia.com

Hospet

940C, Third Cross
Third Ward, Patel Nagar
Station Road,
Hospet-583201
Tel: 09845930782
Email: hospet@bchindia.com

Hubli

A-5, Navaniketan Apartments
Ashok Nagar
Hubli (Karnataka)
Tel. : 0836-3090472
Mobile No. 98802-90471
Email: hubli@bchindia.com

Hyderabad

210, Prajay Corporate House,
1-10-63864, Chikoti Garden,
Begumpet, Hyderabad - 500 016
Tel. : 040-66206263/27763325
Mobile: 98493-99240
Fax : 040-66207273
E-mail: hyderabad@bchindia.com

Indore

330-331, Indraprastha Tower,
6, MG Road, Indore - 452 001
Tel. : 0731-2510011
Mobile: 98266-66091
E-mail: indore@bchindia.com

Jaipur

25, Hathroi, Gopalbari,
Jaipur - 302 001
Tel. : 0141-5104521
Mobile: 98290-10813
Fax : 0141-2363521
E-mail: jaipur@bchindia.com

Jamshedpur

3rd Floor, Aastha Trade Centre,
'Q' Road, Bistupur,
Jamshedpur - 831001
Tel. : 0657-6573507
Mobile: 98351-82109
Fax : 0657-2420439
E-mail: jamshedpur@bchindia.com

Kolkata

East India House,
3rd Floor, 20-B, Abdul Hamid
Street, Kolkata - 700 069
Tel. : 033-22138508 / 10
Mobile: 98303-36101
Fax : 033-22138512
E-mail: kolkata@bchindia.com

Lucknow

Madan Plaza, 3rd Floor,
14, Station Road, Lucknow
Tel. : 0522-4025597/4025997/4025697
Mobile: 98399-12304
E-mail: lucknow@bchindia.com

Ludhiana

S.C.O - 18, IInd Floor,
Feroze Gandhi Market,
Ludhiana - 140 001
Tel. : 0161-5021807
Mobile: 98765-87088
Fax : 0161-2771807
E-mail: ludhiana@bchindia.com

Madurai

E 169/69, Santanam Road
TVS Nagar
Madurai-625003
Tel: 09843133990
Email: madurai@bchindia.com

Mumbai

A-151, Mittal Tower,
Nariman Point,
Mumbai - 400 021
Tel. : 022-22822947/22826039
Mobile: 98923-00706
Fax : 022-22822858
E-mail: mumbai@bchindia.com

Nagpur

Block No. 238-B,
Opp. Dharamdas Darbar,
Nr. Choudhary Chowk, Jaripatka,
Nagpur, Maharashtra - 440 014
Mobile: 99701-80877
E-mail: nagpur@bchindia.com

New Delhi

801, Akash Deep,
26A, Barakhamba Road,
New Delhi - 110 001
Tel. : 011-23313878
Mobile: 98102-12502
Fax : 011-23739230
E-mail: delhi@bchindia.com

Pune

8, Sarosh Bhawan,
16-B/1, Dr. Ambedkar Road,
Pune - 411 001
Tel. : 020-26052590
Mobile: 98220-11086
Fax : 020-26135224
E-mail: pune@bchindia.com

Raipur

2nd Floor,
Building No- B- 234,
Indira Gandhi
Vyavasayik Parisar,
Pandri, Raipur - 492 004
Tel. : 0771-4020213
Mobile: 98266-66092
E-mail: raipur@bchindia.com

Surat

601/A, 21st Century Business Centre
Ring Road
Surat- 395 002
Mobile: 91 9825607617
E-mail: surat@bchindia.com

Trichy

Kingslon Park,
Vikas Nagar
191, Puttur High Road,
Ramalinga Nagar,
Trichy - 620 003.
Mobile: 99406 76502
Email: trichy@bchindia.com

Vadodara

101, Toran Complex,
Vikas Nagar
Old Padra Road
Vadodara - 390 020.
Tel. : 0265-6548444
E-mail: baroda@bchindia.com

Vishakapatnam

Venu Vaibhavam, 2nd Floor,
Flat No. 201, Palace
Layout, Pedda Waltair,
Vishakapatnam - 530 017
Mobile: 98493-99238
E-mail: vizag@bchindia.com

Western UP & Uttarakhand

8, Cooperative Industrial Estate
Patel Nagar
Dehradun - 248001
Uttarakhand
Mobile: 9760005793
E-mail: dehradun@bchindia.com

Resident Engineers Locations Tel.

Agartala	94361-28939	Kolhapur	98906-26205	Kota	98290-14899	Mangalore	98457-31944	Tirupathi	98661-30930
Haldwani	99970-12643	Nashik	98900-12944	Navi Mumbai	98923-00701	Pondichery	98942-22033	Warangal	98495-51691
Kanpur	98392-34539	Salem	98433-19533	Silchar	94354-04033	Siliguri	98320-11433		
Muzaffarnagar	98970-73741	Udaipur	98292-44085	Vijayawada	98662-20504	Bhilai	98266-12907		
Renukoot	98399-55117	Bhopal	98266-66093	Baddi	93187-78975	Gwalior	98268-03658		
Ambala	93541-18839	Ghaziabad	98107-44937	Gorakhpur	98392-24988	Jodhpur	98292-18618		
Durgapur	97320-03364	Jabalpur	98268-03656	Jalandhar	98763-47188	Rajkot	98256-04709		

Since product improvement is a continuous process, the data furnished in this brochure may undergo revision without prior notice.